

# TELACCES 1B / 1C

## Installation manual



### **GEGA Electronique**

1 rue saint Eloi

F – 71300 MONTCEAU-LES-MINES



33 (3) 85674000



33 (3) 85580028

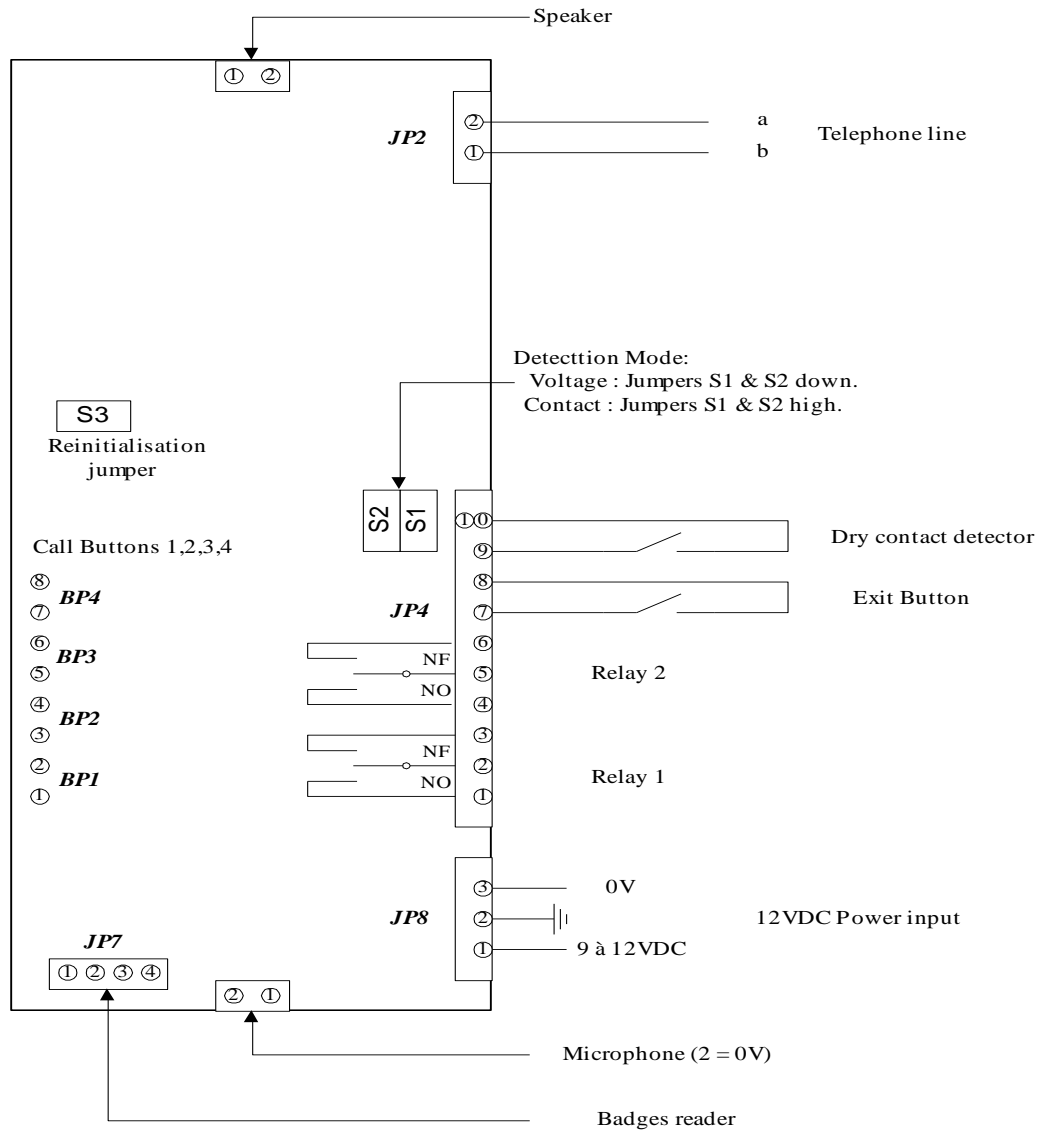
web site : [www.gega-electronique.fr](http://www.gega-electronique.fr)

# CONTENTS

Telaces PCB	3
<b>1- BASIC USER OPERATION</b>	<b>5</b>
1.1- Telaces 1B – Dialling from Panel	5
1.2- Telaces 1C – Dialling from Panel	5
1.3- Telaces 1C – Direct Dialling from Panel	6
1.4- Telaces 1B/1C – Opening the Door from the Handset called	6
1.5- Telaces 1C – Opening the Door from the Keypad in the Panel	6
1.6- Telaces 1B/1C – Dialling in from Remote Handet	6
1.7- System Reset	6
<b>2- GENERAL PROGRAMMING</b>	<b>7</b>
2.1- Programming via touch phone telephone	7
2.2- Programming via the Keypad	7
2.3- Keypad Beeps, Microphone Gain	7
2.4- Loudspeaker Volume	7
2.5- Microphone Gain	8
2.6- Call Progress Audio Reassurance	8
2.7- Press Duration of Call-Buttons	8
2.8- Audio Messages	9
2.9- Hold Open command	10
2.10- Panel to Ring for X seconds before answering incoming call	10
2.11- DTMF or Pulse Dialling	10
2.12- DTMF Code + Keypad Code for Relay N°1	11
2.13- DTMF Code + Keypad Code for Relay N°2	11
2.14- Operating time for Relay N°1	11
2.15- Operating time for Relay N°2	12
2.16- Pressing any Button on Panel activates Relay N°2	12
2.17- Additional Keypad Code for Relay N°1	12
2.18- Communication Time	12
2.19- Communication ends after activation of Relay N°1	12
2.20- Intervention mode on Call-Up of Panel	13
2.21- Manual Answer mode on Call-Up of Panel	13
2.22- Speed Dial Operational Mode	13
2.23- Global Prefix	14
2.24- Speed Dial Telephone Numbers	14
2.25- Deleting a Speed Dial Telephone Number	15
2.26- Number of seconds for Handset to Ring	15
2.27- Changing “General Parameters” Programming Code 2000	15
2.28- Changing Call - Button Programming Codes	16
2.29- Number of seconds of silence before disconnection	16
2.30- Dial Tone	16
2.31- Direct Dialling	16
2.32- Cancelling a Call	17

2.33- Sensitivity Level - Voice Detection	17
2.34- Programming examples	17
2.35- Detection mode	18
2.36- "Free Access" Mode	18
2.37- Activation Relay # 1 during incoming-call	19
2.38- Relay # 1 activated by Call-Button # 1	19
2.39- Keypad-Codes control	19
2.40- Dialling Modes	19
2.41- Tones detection	20
<b>3- PROGRAMMING CALL-BUTTONS NUMBERS</b>	<b>21</b>
3.1- Programmin Call-Button #1	21
3.2- Programmin Call-Button #2	21
3.3- Programmin Call-Button #3	21
3.4- Programmin Call-Button #4	21
3.5- Programmin Call-Button # 5 - 8	21
3.6- Programmin Call-Buttons installed in extensions modules	22
<b>4- TIME PROGRAMMING</b>	<b>24</b>
<b>5- ACCESS CONTROL BADGES</b>	<b>26</b>
<b>6- TECHNICAL DATA</b>	<b>27</b>
<b>7- DEFAULT PARAMETERS</b>	<b>28</b>

# TELACCES PCB



# **1 - BASIC USER OPERATION**

## **1.1. TELACCES 1B – Dialling from Panel**

TELACCES 1B can have from 1 – 8 Call-Buttons on the main panel and up to 72 with extension modules. If TELACCES 1B is connected to a PABX system, it can telephone both internal extension numbers and external telephone numbers.

Call-Button N°1 can call up to 4 n° pre-programmed telephone numbers.

Call-Button N°2 till N° 72 can call 2 n° pre-programmed telephone numbers.

### ***Example:***

*Press Call-Button N°1.*

TELACCES will call 1<sup>st</sup> telephone number programmed (main telephone number). If call is not answered or correspondent busy, TELACCES will automatically call 2<sup>nd</sup> telephone number programmed. If no answer/busy, TELACCES will automatically call 3<sup>rd</sup> telephone number etc.

Call progress is heard at the panel (see Function 17).

Pressing a Call-Button whilst a call is in progress cancels the call.

Correspondent/Resident answering the telephone hears “3 short beeps” or “Call from Door Panel”. TELACCES automatically reverts to standby mode at the end of a communication or call sequence.

## **1.2. TELACCES 1C – Dialling from Panel**

TELACCES 1C offers a choice from 2 n° operational modes:

(1) Panel can call a maximum of 1C n° flats, homes or offices - 1 n° telephone number each.

(2) Panel can call a maximum of 120 n° flats, homes or offices - 2 n° telephone numbers each.

TELACCES 1C can also, simultaneously, have up to 4 n° direct Call-Buttons.

If TELACCES 1C is connected to a PABX system, it can telephone both internal extension numbers and external telephone numbers.

1C Speed Dial numbers are numbered 001, 002, 003, 004, 005 etc to...1C. Each 3 digit Speed Dial number dials a pre-programmed telephone or extension number. Call progress is heard at the panel (see Function 17). Correspondent/Resident answering the telephone hears “3 short beeps” or “Call from Door Panel”. TELACCES automatically reverts to standby mode at the end of a communication.

### ***Example 1:***

Visitor wants to call Flat N°1:

Enter 001 on the panel to call Flat/House N°1.

By entering 001, TELACCES will call the telephone number(s) of Flat N°1.

### ***Example 2:***

Visitor wants to call Flat N°109:

Enter 109 on the panel to call Flat/House N°109.

By entering 109, TELACCES will call the telephone number(s) of Flat N°109.

### ***Example 3:***

Visitor wants to call the Porters Lodge which is Extension 44:

The system could be programmed as follows:

Enter 200 on the panel to call the Porters Lodge on Extension 44.

By entering 200, TELACCES will actually dial 44 to call extension number 44. It is recommended, however, for ease of administration, to pre-program so that the Visitor enters: 044 on the panel to call the Porters Lodge on Extension 44.

By entering 044, TELACCES will actually dial 44 to call extension number 44.

### **1.3. TELACCES 1C – Direct Dialling from Panel**

Press the Call-Button to obtain a dial tone. Then enter the full telephone number of the Correspondent/Resident onto the keypad. Wait for the Correspondent/Resident to answer. Pressing the Call-Button again cancels the call.

Correspondent/Resident answering the telephone hears “3 short beeps” or “Call from Door Panel”.

Only telephone numbers already programmed into the TELACCES panel can be direct dialled ie. the telephone numbers associated with the Speed Dial prefixes 001 – 1C.

Note: Speed Dial is, of course, still available when Direct Dialling is enabled.

### **1.4. TELACCES 1B/1C – Opening the Door from the Handset called**

Any handset answering a call from the panel can activate Relay N°1 to open the door/gate, but only whilst it is in communication with the panel. To activate Relay N°1, the person answering the call must press the 0 button on the telephone handset.

Note 1: The code to enter onto the handset to activate Relay N°1 is programmable and can be any 1 or 2 digit number. You may wish, for example, to have 99 as the code to activate Relay N°1.

Note 2: Exactly the same applies for Relay N°2 which might be used to (A) Open a 2<sup>nd</sup> entrance, perhaps a pedestrian gate (B) Turn on CCTV camera (C) Turn off a perimeter beam etc.

### **1.5. TELACCES 1C – Opening the Door from the Keypad in the Panel or from access-badges**

The keypad code to activate Relay N°1 to open the door/gate can be any number from 1 – 6 digits in length. It can be only one code for all the residents or 1 024 different codes. It must, however, always be preceded by the # button and entered within 5 seconds.

#### **Example:**

If the Keypad Code = 12345 , you must enter: #12345 on the keypad to activate Relay N°1.

Note: Exactly the same applies for Relay N°2.

In replacement of access-codes, badges can be used to open the door (maximum : 512 badges).

### **1.6. TELACCES 1B/1C – Dialling In from Remote Handset**

Any DTMF (touch tone) telephone handset can call a TELACCES panel simply by dialling (1) The telephone number of its telephone line (2) The extension number if it is connected to a PABX extension socket.

The panel does not ring and answers the call automatically.

Intervention mode immediately on Call-Up can be default set to either:

(1) Full Communication (2) Discrete.

Note: TELACCES can be set to ring to signal an incoming call. The call is answered manually by pressing the call-button on the panel (see Function 61).

### **1.7. SYSTEM RESET**

A system reset does the following:

- 1) Reprograms all the factory set default parameters.
- 2) Deletes all Speed Dial telephone numbers.
- 3) Resets programming codes to 2000, 2001, 2002, 2003, 2004...2014.
- 4) Reactivates all audio messages.

On the PCB, fit the strap onto both pins of S3 (see schematic). The TELACCES panel will emit a long beep. Remove strap S3 (leave it on 1 pin only so as not to lose it). TELACCES reverts to standby mode.

## **2 - GENERAL PROGRAMMING**

TELACCES 1B is programmed remotely via a Touch-tone(DTMF) telephone.

TELACCES 1C can be programmed (1) Remotely via a Touch-tone (DTMF) telephone or (2) At the panel via the keypad.

Both of them can be programmed by remote computer.

### **2.1. Programming via a TouchTone (DTMF) Telephone**

Using a standard touch-tone (DTMF) telephone, dial the telephone number of the TELACCES panel. TELACCES 1B confirms the connection by (1) Emitting 3 short beeps or (2) Audio message “Call from Door Panel”.

Press \* within 8 seconds.

Notes:

- 1) Correct programming inputs are acknowledged by (a) 3 short beeps or (b) audio message “The code entered is correct.”
- 2) Incorrect programming inputs are acknowledged by (a) 2 long beeps or (b) audio message “The code entered is incorrect.”
- 3) A maximum of 10 seconds are allowed for each programming input - if exceeded, TELACCES reverts to standby mode.
- 4) No programming entries are possible when the panel is emitting acknowledgement beeps.
- 5) If programming TELACCES 1C via the keypad on the panel, simply enter the appropriate information directly via the keypad. There is no need to call the panel.
- 6) Enter 00 (or 000 if programming speed dial numbers) to exit from programming mode.

### **2.2. Programming via the Keypad – Function 10**

*Default setting is ON.*

**\*2000 # (3 short beeps) 10 (long beep) 0 (3 short beeps) = Feature available (default)**

**\*2000 # (3 short beeps) 10 (long beep) 1 (3 short beeps) = Feature disabled**

**Important:** When you have finished programming it is strongly recommended that you change the “General Parameters” and “Call-Button” Programming Codes, see Functions 90 and 91. Make sure to keep a record of your new Programming Codes!

### **2.3. Keypad beeps – Function 11**

*Default setting = Keypad Beeps*

**\* 2000 # (3 short beeps) 11 (long beep) 0 (3 short beeps) = Keypad beeps OFF**

**\* 2000 # (3 short beeps) 11 (long beep) 1 (3 short beeps) = Keypad beeps ON**

### **2.4. Loudspeaker Volume – Function 12**

*Default setting is 8.*

Volume range 00 - 15.

**\* 2000 # (3 short beeps) 12 (long beep) 00 (3 short beeps) = Maximum**

**\* 2000 # (3 short beeps) 12 (long beep) 08 (3 short beeps) = Medium (default)**

**\* 2000 # (3 short beeps) 12 (long beep) 15 (3 short beeps) = Minimum**

## **2.5. Microphone Gain – Function 13**

*Default setting is 2.*

- \* **2000 # (3 short beeps) 13 (long beep) 0 (3 short beeps) = Minimum gain**
- \* **2000 # (3 short beeps) 13 (long beep) 1 (3 short beeps) = 6 decibels**
- \* **2000 # (3 short beeps) 13 (long beep) 2 (3 short beeps) = 2.5 decibels (default)**
- \* **2000 # (3 short beeps) 13 (long beep) 3 (3 short beeps) = 12 decibels**

## **2.6. Call Progress Audio Reassurance – Function 17**

*Default setting is Audio ON.*

Visitor can hear the progress of call to correspondent ie dial tone, dialling of telephone / extension number, ringing etc.

- \* **2000 # (3 short beeps) 17 (long beep) 1 (3 short beeps) = Call Progress Audio OFF**
- \* **2000 # (3 short beeps) 17 (long beep) 0 (3 short beeps) = Call Progress Audio ON (default)**

## **2.7. Press Duration of Call-Buttons – Function 14**

*Default setting is 0 = Immediate.*

Options are: 1 = 100 ms, 2 = 200 ms, 3 = 300 ms, 4 = 400 ms, 5 = 500 ms, 6 = 600 ms, 7 = 700 ms, 8 = 800 ms, 9 = 900 ms.

- \* **2000 # (3 short beeps) 14 (long beep) 1 (3 short beeps) = 100 ms**
- \* **2000 # (3 short beeps) 14 (long beep) 9 (3 short beeps) = 900 ms**

I.E. How long does the button have to be pressed before it is acknowledged by the TELACCES panel ?



## **2.8. Audio Messages – Functions 40-49 & Function 18**

*Default setting = All messages ON.*

TELACCES panels “talk” to visitors. These audio messages can be set to either ON or OFF to suit the installation.

Message 1: Function 41

‘Please wait, your call is in progress’

Message 2: Function 42

‘Your correspondent cannot be reached at this time. Please try later’

Message 3: Function 43

‘You have dialled incorrectly’

Message 4: Function 44

‘Please enter’

Message 5: Function 45

‘Sorry, the line is busy. Please try again later’

Message 6: Function 46

‘Sorry, no answer. Please try again later’

Message 7: Function 47

‘The code entered is incorrect’

Message 8: Function 48

‘The code entered is correct’

Message 9: Function 49

‘Please dial your correspondent’s telephone number’

Message 10: Function 40

‘Call from door Panel’

**\* 2000 # (3 short beeps) 41 (long beep) 0 (3 short beeps) = Audio Message 1 “OFF”**

**\* 2000 # (3 short beeps) 41 (long beep) 1 (3 short beeps) = Audio Message 1 “ON”**

**\* 2000 # (3 short beeps) 41 (long beep) # (3 short beeps) = Play Audio Message 1 Now**

**\* 2000 # (3 short beeps) 44 (long beep) 0 (3 short beeps) = Audio Message 4 “OFF”**

**\* 2000 # (3 short beeps) 44 (long beep) 1 (3 short beeps) = Audio Message 4 “ON”**

**\* 2000 # (3 short beeps) 44 (long beep) # (3 short beeps) = Play Audio Message 4 Now**

**To adjust the messages audio-level, use Function 18**

**\* 2000 # (3 short beeps) 18 (long beep) 1 to 7 (0 : maximum level ; 7 : minimum level) (3 short beeps).**

## **2.9. Hold Open**

*Relays 1 and 2 can be latched ON as follows:*

After receiving a call from the door panel, the Resident/Correspondent needs to press the \* button (*Hold Open Command*) on the telephone handset **after** entering the pre-programmed relay activation code **and** hearing the message “The code entered is correct” (or, 3 short beeps) but **before** the end of the pre-programmed activation time of the relay in question.

### ***Example:***

DTMF release code for Relay 1 = 0.

Normally, Resident/Correspondent simply presses the **0** button on the telephone handset to activate relay n° 1 for the X n° of (pre-programmed) seconds. To latch open relay n° 1, the **0** must be followed, after hearing the message “ The code entered is correct” (or, 3 short beeps), by the \* .

DTMF release code for Relay 2 = 2.

Normally, Resident/Correspondent simply presses the **2** button on the telephone handset to activate relay n° 2 for the X n° of (pre-programmed) seconds. To latch open relay n° 2, the **2** must be followed, after hearing the message “ The code entered is correct” (or, 3 short beeps), by the \* .

Clearly, the \* button must be pressed before the end of the pre-programmed activation time for the relay in question. Therefore, if relay n° 1 is programmed to activate for 8 seconds, the \* button must be pressed before the end of the 8 seconds.

It is also possible to latch open both relays simultaneously by pressing **0** “The code entered is correct” (or, 3 short beeps) **2** “The code entered is correct” (or, 3 short beeps) followed by \* before either relay activation has timed out.

To unlatch, simply enter into communication with the TELACCES door panel by either dialling in from a telephone handset or receiving a call from it. Press **0** for relay n° 1 or **2** for relay n° 2 to return to standby status.

Activation of either relay 1 or 2 as a result of keypad usage will also cancel hold-open ie cause relevant relay to return to standby status.

## **2.10. ON Call-up, Panel to Ring for X Seconds Before Answering Call from Remote Handset – Function 15**

*Default setting is 0 seconds.*

Options are: 00 = 0 seconds (minimum), 99 = 99 seconds (maximum).

**\* 2000 # (3 short beeps) 15 (long beep) 15 (3 short beeps) = 15 seconds**

## **2.11. DTMF (Analogue) or Pulse dialling – Function 24**

*Default setting is 0 = DTMF.*

**\* 2000 # (3 short beeps) 24 (long beep) 0 (3 short beeps) = DTMF (default)**

**\* 2000 # (3 short beeps) 24 (long beep) 1 (3 short beeps) = Pulse**

## **2.12. Programming DTMF Code + Keypad Code for Relay n° 1 – Function 25**

*0 To release the door:*

From the handset called ie to activate Relay n°1, the person answering the call must enter a 1 or 2 digit code on the keypad of the handset.

This is the DTMF code. Default DTMF code = 0.

Via the keypad ie to activate Relay n° 1, program a keypad entry code of 1 to 6 digits. The user must press the # button on the panel followed by the keypad code to activate the relay.

Default Keypad code = 12345.

**\* 2000# (3 short beeps) 25 (long beep) 9# (long beep) 943# (3 short beeps) = DTMF 9 Keypad 943**

*If DTMF code is less than 2 digits, press # to validate*

*If Keypad code is less than 6 digits, press # to validate*

**\* 2000 # (3 short beeps) 25 (long beep) 2 6 (long beep) 2 0 2 0 8 9 (3 short beeps) = DTMF 26 Keypad 202089**

*To activate Relay N° 1 at the panel ie open the door via the keypad, the authorised person must enter : # before Keypad code. Example : #949 or #202089.*

Note:

If DTMF code is only 1 digit, enter # after number (digit) chosen. If Keypad code is less than the maximum 6 digits, enter # after number chosen.

To disable both the DTMF remote opening function and the Keypad Entry function:

**\* 2000 # (3 short beeps) 25 (long beep) # (long beep) # (3 short beeps) = Both functions OFF**

To disable the DTMF remote opening function but not the Keypad Entry function:

**\* 2000 # (3 short beeps) 25 (long beep) # (long beep) 943 # (3 short beeps) = DTMF function OFF Keypad 943**

To disable the Keypad Entry function but not the DTMF remote opening function:

**\* 2000 # (3 short beeps) 25 (long beep) 9 # (long beep) # (3 short beeps) = DTMF 9, Keypad OFF**

## **2.13. Programming DTMF Code + Keypad Code for Relay n° 2 – Function 30**

Default DTMF code = 2.

Default keypad code = 67890.

*Exactly as for Relay N o 1 except for:*

**\* 2000# (3 short beeps) 30 (long beep) 7# (long beep) 241# (3 short beeps) = DTMF 7 Keypad 241**

*If DTMF code is less than 2 digits, press # to validate*

*If Keypad code is less than 6 digits, press # to validate*

## **2.14. Programming Operating Time for Relay n° 1 – Function 31**

Default setting = 05 seconds

For how many seconds is Relay N° 1 to operate when activated. (minimum 01 second, maximum 99 seconds).

**\* 2000 # (3 short beeps) 31 (long beep) 10 (3 short beeps) = 10 seconds**

### **2.15. Programming Operating Time for Relay n° 2 – Function 32**

*Exactly as for Relay N o 1 except for:*

**\* 2000 # (3 short beeps) 32 (long beep) 08 (3 short beeps) = 08 seconds**

### **2.16. Pressing Any Button on Panel activates Relay N°2 for 5s – Function 33**

*Default setting = OFF*

**\* 2000 # (3 short beeps) 33 (long beep) 0 (3 short beeps) = Feature OFF (default)**

**\* 2000 # (3 short beeps) 33 (long beep) 1 (3 short beeps) = Feature ON**

### **2.17. Programming an additional Keypad code to activate Relay N°1 – Function 34**

Program an additional Keypad entry code of 1 to 6 digits.

Only enter # after number chosen if Keypad code less than the maximum 6 digits.

To disable this Keypad Code:

**\* 2000 # (3 short beeps) 34 (long beep) 15896# (3 short beeps) = Keypad Code 15896**

*If Keypad code is less than 6 digits, press # to validate*

**\* 2000 # (3 short beeps) 34 (long beep) # (3 short beeps) = Keypad Code OFF (Default)**

### **2.18. Programming Communication Time – Function 26**

*Default = 1 minute*

Communication time between the panel and the handset called can be from 1 - 9 minutes or of unlimited duration.

**\* 2000 # (3 short beeps) 26 (long beep) 1 (3 short beeps)= 1 minute (default)**

**\* 2000 # (3 short beeps) 26 (long beep) 0 (3 short beeps)= Unlimited (not recommended)**

**\* 2000 # (3 short beeps) 26 (long beep) 3 (3 short beeps)= 3 minutes**

### **2.19. Communication ends after activation of Relay N° 1 – Function 35**

*Default = Yes*

**\* 2000 # (3 short beeps) 35 (long beep) 0 (3 short beeps) = NO**

**\* 2000 # (3 short beeps) 35 (long beep) 1 (3 short beeps) = YES (default)**

## **2.20. Programming Intervention Mode on Call-up of Panel – Function 27**

*Default = Full Communication mode*

TELACCES can be called from any DTMF (touch-tone) telephone provided, of course, the telephone or extension number of its telephone line is known. This security feature can be default set to either (a) Full Communication mode (b) Discrete mode.

**\* 2000 # (3 short beeps) 27 (long beep) 0 (3 short beeps) = Full Communication mode (default).**

**\* 2000 # (3 short beeps) 27 (long beep) 1 (3 short beeps) = Discrete mode.**

Full Communication mode allows the caller to immediately talk to the visitor and, if required, open the door. Discrete mode disables the loudspeaker enabling the caller to listen-in to the panel environment undetected.

Note: The caller ie caretaker/concierge/resident can switch once from Discrete mode to Full Communication mode during the call by pressing the # on their telephone without affecting the pre-programmed Intervention Mode on Call-Up.

## **2.21. Manual Answer Mode on Call-up of Panel – Function 61**

*Default setting = Auto answer mode*

TELACCES 1B can be programmed to ring to signal an incoming call. The call is answered by pressing the button on the panel - simultaneously activating “handsfree” communication with the caller.

**\* 2000 # (3 short beeps) 61 (long beep) 0 (3 short beeps) = Auto answer mode (default).  
No ring, answers automatically (emits 3 short beeps). Communication link established automatically between Caller and Panel.**

**\* 2000 # (3 short beeps) 61 (long beep) 1 (3 short beeps) = Modem answer mode.  
No ring, integral modem answers searching for corresponding modem. This function is designed to allow remote accessing of TELACCES panels from a PC for programming purposes.  
If no modem detected within 15 seconds, voice communication facilities are established between Caller and Panel.**

**\* 2000 # (3 short beeps) 61 (long beep) 2 (3 short beeps) = Manual answer mode.  
Panel rings. To answer the call, press the button on the panel.**

## **2.22. Speed Dial Operational Mode – Function 65**

The TELACCES 1C model offers a choice from 2 n o operational modes:

- Panel can call a maximum of 1C n° flats, homes or offices - 1 n° telephone number per flat, home or office.
- Panel can call a maximum of 120n o flats, homes or offices - 2 n° telephone numbers available per flat, home or office (Default Setting).

**\* 2000 # (3 short beeps) 65 (long beep) 0 (3 short beeps) = 1C Mode.**

**\* 2000 # (3 short beeps) 65 (long beep) 1 (3 short beeps) = 120 (x2) Mode (default).**

## **2.23. Global Prefix – Function 66**

### *Prefix of Telecom Service Provider*

The TELACCES panel can be programmed to automatically add a prefix (maximum 4 digits) to all pre-programmed telephone numbers in order to route all calls through a preferred telecom service provider.

**\* 2000 # (3 short beeps) 66 (long beep)1696 (3 short beeps) = Prefix 1696**

**\* 2000 # (3 short beeps) 66 (long beep ) 177 # (3 short beeps) = Prefix 177**

**\* 2000 # (3 short beeps) 66 (long beep) # (3 short beeps) = No Prefix (default)**

*If Global Prefix is less than 4 digits, press # to validate*

This prefix can, of course, be **9** or **9 \*** if TELACCES is connected to a PABX system.

Note: Use the integral programming features of the PABX to take advantage of, for example, least Cost Routing etc

## **2.24. Speed Dial Numbers**

### **Programming Speed Dial Numbers 120 (x2) Mode – Function 62**

The TELACCES 1C panel is set up in 120 (x2) Mode. It can call a maximum of 120 n o flats, homes or offices – 2 n° telephone numbers per flat, home or office. These telephone numbers can be a maximum of 16 digits each in length including pauses. A pause is programmed as a \*.

**\* 2000 # (3 short beeps) 62 (long beep) 001 (long beep) 02084589218# (long beep) 02084587770 # (3 short beeps) = Speed Dial 001 is 02084589218.**

**If no answer or busy will call 02084587770.**

*If speed dial is less than 16 digits, press # to validate*

**\* 2000 # (3 short beeps) 62 (long beep) 002 (long beep) 01442211848 # (long beep) 01442212776 # (3 short beeps) = Speed Dial 002 is 01442211848.**

**If no answer or busy will call 01442212776.**

**\* 2000 # (3 short beeps) 62 (long beep) 003 (long beep) 1234567890123456 (long beep) 01923276887 # (3 short beeps) = Speed Dial 003 is 1234567890123456.**

**If no answer or busy will call 01923276887.**

**\* 2000 # (3 short beeps) 62 (long beep) 004 (long beep) \* 0208 \* 4589319 # (long beep) 07970343589 # (3 short beeps) = Speed Dial 004 is \* 0208 \* 4589319.**

**If no answer or busy will call 07970343589.**

### **Tip Wizzard 120 (x2) Mode**

#### *Programming Speed Dial Numbers*

**2000 # (3 short beeps) 62 (long beep)**

**001 (long beep) 02084589218 # (long beep), 02084587770 # (3 short beeps)**

**002 (long beep) 01442211848# (long beep), 01442212776 # (3 short beeps)**

**003 (long beep) 1234567890123456 (long beep) 01923276887# (3 short beeps)**

**004 (long beep) \*0208\* 4589319# (long beep), 07970343589# (3 short beeps) 000 (3 short beeps).**

*Note:*

*(1) If the Speed Dial telephone number is less than the maximum 16 digits allowed (including pauses), enter # after the telephone number.*

*(2) Enter 000 to exit programming mode.*

## **Programming Speed Dial Numbers 1C Mode – Function 62**

The TELACCES 1C panel is set up in 1C Mode. It can call a maximum of 1C N° telephone numbers. These telephone numbers can be a maximum of 16 digits each in length *including* pauses. A pause is programmed as a \* .

**\* 2000 # (3 short beeps) 62 (long beep) 001 (long beep) 02084589218# (3 short beeps)**  
= Speed Dial 001 is 02084589218.

**\* 2000 # (3 short beeps) 62 (long beep) 002 (long beep) 01442211848# (3 short beeps)**  
= Speed Dial 002 is 01442211848.

**\* 2000 # (3 short beeps) 62 (long beep) 003 (long beep) 1234567890123456 (3 short beeps)**  
= Speed Dial 003 is 1234567890123456.

**\* 2000 # (3 short beeps) 62 (long beep) 004 (long beep) \*0208\*4589319# (3 short beeps)**  
= Speed Dial 004 is \* 0208 \* 4589319.

## **Tip Wizzard 1C Mode**

### *Programming Speed Dial Numbers*

To save time, have your list of telephone numbers pre-prepared and program as follows:

**\* 2000 # (3 short beeps) 62 (long beep)**  
**001 (long beep) 02084589218 # (3 short beeps)**  
**002 (long beep) 01442211848# (3 short beeps)**  
**003 (long beep) 1234567890123456 (3 short beeps)**  
**004 (long beep) \*02 08\*4589319 # (3 short beeps) 000 (3 short beeps).**

Note:

(1) If the Speed Dial telephone number is less than the maximum 16 digits allowed (including pauses), enter # after the telephone number.

(2) Enter 000 to exit programming mode.

## **2.25. Deleting a Speed Dial Telephone Number – Function 62**

To delete a Speed Dial telephone number:

**\* 2000 # (3 short beeps) 62 (long beep) 003 (long beep) # (3 short beeps)**  
= Deletes the telephone number(s) stored for Speed Dial 003.

## **2.26. Number of Seconds for Handset to Ring before TELACCES ‘Hangs Up’ – Function 64**

*Default setting is 30 seconds.*

TELACCES will call a handset for a preset number of seconds before cancelling the call. Range available 10 - 99 seconds. Function 64 relates solely to handsets called via either “Speed Dial” or “Direct Dial”.

**\* 2000 # (3 short beeps) 64 (long beep) 25 (3 short beeps) = Handsets to ring for 25 seconds.**

## **2.27. Changing General Parameters Programming Code 2000 – Function 90**

*Default Programming Code = 2000*

The programming code must be 4 digits in length. To change the code:

**\* 2000 # (3 short beeps) 90 (long beep) 8402 (3 short beeps) = New programming code 8402.**

## **2.28. Changing Call-Button Programming Code – Function 91**

*Call-Button N°1 = Default 2001*

*Call-Button N°2 = Default 2002*

*Call-Button N°3 = Default 2003*

*Call-Button N°14 = Default 2014*

*The programming code must be 4 digits in length. To change the code for a particular Call-Button:*

**\* 2001 # (3 short beeps) 91 (long beep) 1200 (3 short beeps)**  
*= New programming code for Call-Button N°1 is 1200*

**\* 2002 # (3 short beeps) 91 (long beep) 1201 (3 short beeps)**  
*= New programming code for Call-Button N°2 is 1201*

**\* 2003 # (3 short beeps) 91 (long beep) 5280 (3 short beeps)**  
*= New programming code for Call-Button N°3 is 5280*

*Example : In the future, to program Call-Button N°1, you will need to enter :*

**\* 1200 # (3 short beeps) 20 (long beep) 02084579898 # (long beep) etc..**

*If the telephone number is less than the maximum 16 digits allowed (including pauses), enter # after the telephone number.*

## **2.29. Number of Seconds of Silence before TELACCES ‘Hangs Up’ – Function 97**

*Default setting = 10 seconds*

TELACCES will hang-up if it does not detect voice or DTMF for 10 seconds.

Range: 1 = 5 seconds, 2 = 10 seconds, 3 = 15 seconds.... 9 = 45 seconds.

**\*2000 # (3 short beeps) 97 (long beep) 0 (3 short beeps) = OFF (not recommended).**

**\* 2000 # (3 short beeps) 97 (long beep) 2 (3 short beeps) = Disconnects after 10 seconds.**

## **2.30. Dial Tone – Function 98**

*Default setting = Dial Tone required*

TELACCES can be programmed to dial even if it does not detect a dial tone.(certain PABX systems).

**\* 2000 # (3 short beeps) 98 (long beep) 1 (3 short beeps) = No Dial Tone required.**

**\* 2000 # (3 short beeps) 98 (long beep) 0 (3 short beeps) = Dial Tone required (default).**

## **2.31. Direct Dialling – Function 60**

*Default setting = 0 which is Direct Dialling OFF.*

TELACCES 1C can be used in either of the following 2 ways:

(a) Directly by entering a Speed Dial number on the keypad, for example: 010

(b) Direct Dialling like a “Hands-Free” telephone. The button on the panel is used to obtain a dialling tone. The visitor can then enter the full telephone number of the Resident to make the connection.

In any event visitors can only direct dial those telephone numbers already programmed into the TELACCES panel ie. The telephone numbers associated with the Speed Dial prefixes 001 - 1C.

**\* 2001 # (3 short beeps) 60 (long beep) 0 (3 short beeps) = Direct Dialling OFF .**

**\* 2001 # (3 short beeps) 60 (long beep) 1 (3 short beeps) = Direct Dialling with Restrictions.**



### **2.32. Cancelling a Call – Function 63**

*Default settings = Pressing button again cancels the call.*

TELACCES can cancel a Call in progress, for example, in the case of visitor error.

**\* 200 1 # (3 short beeps) 63 (long beep) 0 (3 short beeps)**

= Feature OFF. Calls cannot be stopped once in progress.

**\* 200 1 # (3 short beeps) 63 (long beep) 1 (3 short beeps)**

= Pressing the relevant button again, cancels the Call in progress (default).

**\* 200 1 # (3 short beeps) 63 (long beep) 2 (3 short beeps)**

= Button usage is restricted to only cancelling Calls in progress (Not Recommended).

### **2.33. Sensitivity Level – Voice Detection – Function 96**

*Default setting = High sensitivity*

The higher the sensitivity setting, the quicker the system detects that the Resident has answered the telephone. In situations where there is lots of “noise on the line” it is advisable to reduce to low setting ie 0.

**\* 2000 # (3 short beeps) 96 (long beep) 0 (3 short beeps) = Low sensitivity**

**\* 2000 # (3 short beeps) 96 (long beep) 1 (3 short beeps) = High sensitivity (default)**

### **2.34. Programming example :**

#### **120(x2) Mode**

##### ***Tip Wizard***

After having entered Function 62 “Programming of Speed Dial numbers” you cannot switch to programming of a different function without first exiting from programming mode (enter 000 to exit). Re-enter into programming mode in order to continue programming of other functions.

**\* 2000 # (3 short beeps) 12 (long beep) 02 (3 short beeps)**

**13 (long beep) 3 (3 short beeps)**

**25 (long beep) 9# (long beep) 943 # (3 short beeps)**

**31 (long beep) 08 (3 short beeps) 33 (long beep) 1 (3 short beeps)**

*Relay 1 to operate for 8 seconds*

*Pressing any button on panel activates relay 2 for 5 seconds*

**34 (long beep) 100900 (3 short beeps)**

*Additional Keypad Code*

**26 (long beep) 2 (3 short beeps)**

*2 minute communication time*

**63 (long beep) 1 (3 short beeps)**

*Pressing call button again cancels the call*

**64 (long beep) 25 (3 short beeps)**

*Speed dial handsets to ring for 25 seconds before TELACCES “Hangs up”*

**62 (long beep) 001 (long beep) 02074589876# (long beep) 02074587770# (3 short beeps)**

**002 (long beep) 02075679870# (long beep) 02075677222# (3 short beeps)**

**003 (long beep) 02078987659# (long beep) 02078986720# (3 short beeps)**

**004 (long beep)\*0207\*4589319# (long beep) 07970343589# (3 short beeps) 000 (3 short beeps).**

## Programming example 1C Mode

### *Tip Wizard*

- \* **2000 # (3 short beeps) 12 (long beep) 02 (3 short beeps)** (*Loudspeaker volume setting*)
- 13 (long beep) 3 (3 short beeps)** (*Microphone gain setting*)
- 25 (long beep) 9# (long beep) 943# (3 short beeps)** (*DTMF code and Keypad code for relay 1*)
- 31 (long beep) 08 (3 short beeps)** (*Relay 1 to operate for 08 seconds*)
- 33 (long beep) 1 (3 short beeps)** (*Pressing any button on panel activates relay 2 for 5 seconds*)
- 34 (long beep) 100900 (3 short beeps)** (*Additional keypad code*)
- 26 (long beep) 2 (3 short beeps)** (*2 minute communication time*)

After having entered Function 62 “Programming of Speed Dial numbers” you cannot switch to programming of a different function without first exiting from programming mode (enter 000 to exit). Re-enter into programming mode in order to continue programming of other functions.

- 63 (long beep) 1 (3 short beeps)** (*Pressing call button again cancels the Call*)
- 64 (long beep) 25 (3 short beeps)** (*Speed dial handsets to ring for 25 seconds before TELACCES “Hangs Up”*)
- 62 (long beep) 001 (long beep) Speed dial 001 02074589876 # (3 short beeps)**
- 002 (long beep) Speed dial 002 02075679870 # (3 short beeps)**
- 003 (long beep) 02078987659 # (3 short beeps)**
- 004 (long beep) 02078759090 # (3 short beeps) 000 (3 short beeps).**

### 2.35. Detection mode – Function 71

2 modes are available :

- push-button to activate relay 2,
- alarm input.

- \* **2000 # (3 short beeps) 71 (long beep) enter the choice (3 short beeps)**
  - \* : to activate,
  - # : to deactivate,
  - 0 : contact or voltage will activate relay 2,
  - 1 : contact or voltage mean alarm ON,
  - 2 : contact or voltage mean alarm ON and activate relay 2,
  - 3 : no contact or no voltage mean alarm ON,
  - 4 : no contact or no voltage mean alarm ON and activate relay 2.

### 2.36. « Free Access » Mode – Function 79

*Default setting = no free access.*

When « Free Access » Mode is ON, Relay # 1 is activated during selected time (see chapter 4).

- \* **2000 # (3 short beeps) 79 (long beep) 0 (3 short beeps) = no free access.**
- \* **2000 # (3 short beeps) 79 (long beep) 1 (3 short beeps) = free access activated.**

### **2.37. Activation Relay # 1 during incoming-call – Function 37**

*Default setting = ON.*

By calling the panel, it is possible to activate the Relay # 1 by dialling the specific code.

**\* 2000 # (3 short beeps) 37 (long beep) 0 (3 short beeps) = not possible to activate the relay # 1.**

**\* 2000 # (3 short beeps) 37 (long beep) 1 (3 short beeps) = relay # 1 can be activated.**

### **2.38. Relay # 1 can be activated by Call-Button # 1 – Function 39**

*Default setting = OFF.*

Relay # 1 can be activated by pushing Call-Button # 1 for the time programmed by function 31.

**\* 2000 # (3 short beeps) 39 (long beep) 0 (3 short beeps) = feature OFF**

**\* 2000 # (3 short beeps) 37 (long beep) 1 (3 short beeps) = feature ON**

### **2.39. Keypad-Codes control – Function 94**

*Default setting = OFF.*

Entering a wrong code (one time to nine times) on the keypad to open the door can block the keypad for 10 seconds to 255 seconds or call the numbers programmed for the Call-Button # 4.

**\* 2000 # (3 short beeps) 94 (long beep) 0 (3 short beeps) = feature OFF**

**\* 2000 # (3 short beeps) 94 (long beep) X (long beep) Y (long beep) ZZZ (long beep)**

With :

X = 1 to 9, from one wrong code to 9 wrong code allowed.

Y = 0 means the keypad will be blocked, Y = 1 means the panel will call the number programmed for the Call-Button # 4.

ZZZ = blocking time in seconds.

### **2.40. Dialling Modes – Function 38**

*Default setting is Mode # 1.*

Three Modes are available when pushing the call-button:

- 1) **Direct dialling of the call-number:** the panel will hang up and dial directly the pre-programmed call-number.
- 2) **Flashing is sent previous to the call-number:** the panel will hang up and before dialling, flashing code will be sent on the telephone line.
- 3) **DTMF Code “\*” is sent prior dialling:** the panel will hang up and before dialling, “\*” DTMF code will be sent on the telephone line.

**\* 2000 # (3 short beeps) 38 (long beep) 0 (3 short beeps) = Mode #1**

**\* 2000 # (3 short beeps) 38 (long beep) 1 (long beep) XXX (long beep) Y (3 short beeps) = Mode # 2**

With:

XXX = flashing duration (i.e. 270 = 270 ms)

Y = 0 for no delay between flashing and dialling, 1 for a delay of 0.5 seconds, 2 for a delay of 1 second and 3 for a delay of 1.5 seconds.

**\* 2000 # (3 short beeps) 38 (long beep) 2 (long beep) Y (3 short beeps) = Mode # 3**

With Y = 0 for no delay between “\*” and dialling, 1 for a delay of 0.5 seconds, 2 for a delay of 1 second and 3 for a delay of 1.5 seconds.

## 2.41 Tones detections

When a phone number is dialed, the only way to know if the correspondent answers the call or is busy or cut the communication is to recognize the tones sending by the telephone operator.

Two tones must be recognized :

- ringing tone : this tone is received when the telephone set of the correspondent is ringing,
- busy tone : this tone is received when the correspondent is still in communication and also when the correspondent cut the communication,

A tone is made up by sequences of sounds and silences. The tones can be different from Telephone Operator and Pabx.

The values of these tones must be programmed inside the system.

This programming can be done manually when connected behind a Pabx or on a public telephone line.

Better to know the values of the tones of the Pabx or of the Public central office (see manual of the Pabx or ask installator).

- enter **CODE 99**,
- after receiving a long beep,enter **the value of the ON signal of the busy tone (unity=10ms)**,
- after receiving a long beep,enter **the value of the OFF signal of the busy tone (unity=10ms)**,
- after receiving a long beep,enter **the delta value of the busy tone (unity=10ms)**,
- after receiving a long beep,enter **the value of the ON signal of the ringing tone (unity=53,333ms)**,
- after receiving a long beep,enter **the value of the OFF signal of the ringing tone (unity=53,333ms)**,
- after receiving a long beep,enter **the delta value of the ringing tone (unity=53,333ms)**,

Example :

Tones	Duration	Calculation	Values to programm	Basic values (*)
ON Busy Tone	200ms	200/10	20	50
OFF Busy Tone	400ms	400/10	40	50
Delta Busy Tone	+/-50ms	50/10	05	05
ON Ringing Tone	1s	1000/53.333	19	28
OFF Ringing Tone	3s	3000/53.333	56	66
Delta Ringing Tone	+/-200ms	200/53.333	04	07

(\*) these values are basically programmed into the system and can be find again when doing a RESET.

For example, the basic values to function on the French line are:

- ON Busy tone = 500ms,
- OFF Busy tone = 500ms,
- delta Busy tone = 50ms,
- ON Ringing tone = 1,5s,
- OFF Ringing tone = 3,5s,
- delta Ringing tone = 350ms.

## **3 – PROGRAMMING CALL BUTTONS NUMBERS**

### **3.1. Programming Call-Button 1**

Call-Button 1 can be programmed to automatically call up to 4 n° telephone numbers. For example, if no response received from telephone number 1, TELACCES will call telephone number 2, then 3, then 4 before hanging-up.

*The 1<sup>st</sup> telephone number*

**\*2001 # (3 short beeps) 20 (long beep) 02084568786 # (long beep) 30 (3 short beeps)**

*If telephone number less than the maximum 16 digits, including pauses, allowed, press # to validate.*

*The 2<sup>d</sup> telephone number*

**21 (long beep) 02084560209 # (long beep) 30 (3 short beeps)**

*The 3<sup>rd</sup> telephone number*

**22 (long beep) 07802879098 # (long beep) 25 (3 short beeps)**

*The 4<sup>th</sup> telephone number*

**23 (long beep) 01442211845 # (long beep) 25 (3 short beeps).**

### **3.2. Programming Call-Button 2**

*Exactly as for Call-Button 1 except:*

**\*200 2 # (3 short beeps) 20 (long beep) 02084521904 # (long beep) 30 (3 short beeps)**

*Note: Maximum 2 N o telephone numbers can be called by Call-Button 2.*

### **3.3. Programming Call-Button 3**

*Exactly as for Call-Button 1 except:*

**\*200 3 # (3 short beeps) 20 (long beep) 02084286180 # (long beep) 30 (3 short beeps)**

*Note: Maximum 2 N o telephone numbers can be called by Call-Button 3.*

### **3.4. Programming Call-Button 4**

*Exactly as for Call-Button 1 except:*

**\*200 4 # (3 short beeps) 20 (long beep) 02084286180 # (long beep) 30 (3 short beeps)**

*Note: Maximum 2 N o telephone numbers can be called by Call-Button 4.*

### **3.5. Programming Call-Button 5 - 8**

*Exactly as for Call-Button 1 except:*

**\*200 5 # (3 short beeps) 20 (long beep) 02084659009 # (long beep) 30 (3 short beeps)**

...

**\*200 8 # (3 short beeps) 20 (long beep) 02084780908 # (long beep) 35 (3 short beeps)**

*Note: Maximum 2 N° telephone numbers can be called by Call - Button 5 .. Call - Button 8*

Disabling Call-Button 1 = \* 2001 # (3 short beeps) # (3 short beeps)  
Disabling Call-Button 2 = \* 2002 # (3 short beeps) # (3 short beeps)  
Disabling Call-Button 3 = \* 2003 # (3 short beeps) # (3 short beeps)

...  
Disabling Call-Button 8 = \* 2008 # (3 short beeps) # (3 short beeps)

Reactivating Call-Button 1 = \* 2001 # (3 short beeps) \* (3 short beeps)  
Reactivating Call-Button 2 = \* 2002 # (3 short beeps) \* (3 short beeps)  
Reactivating Call-Button 3 = \* 2003 # (3 short beeps) \* (3 short beeps)

...  
Reactivating Call-Button 8 = \* 2008 # (3 short beeps) \* (3 short beeps)

### **Programming for call-buttons 1 – 8 utilisation – Function 80**

If the option **real clock** is installed, the using of all call-buttons can be as following :

**2000 # (3 short beeps) 80 (long beep)**

- **0** : call-buttons are always active,
- **1** : call-buttons are active only during the time period programmed,
- **2** : during the time period programmed, relay 2 will be active when pushing call-buttons ;  
Off time pushing call-buttons will dial the programmed numbers,
- **3** : during the time period programmed, it will call the first speed dial telephone number.  
Off this time, it will call the second speed dial telephone number.

### **3.6. Programming Call-Buttons in extension modules**

**First of all it is necessary to valid the presence of call-buttons extension modules.**

A maximum of 4 call-buttons extension modules (16 call-buttons per each module) can be added to a main panel.

### **Validation of existing call-buttons extension modules – Function 67**

**\* 2000 # (3 short beeps) 67 (long beep) 1 to valid, 0 to unvalid.**

### **Programming speed dial numbers – Function 68**

2 n° telephone numbers per flat, home or office are available per call-button. These telephone numbers can be a maximum of 16 digits each in length including pauses. A pause is programmed as a \*.

**\* 2000 # (3 short beeps) 68 (long beep) 01 - 64 (number of the call-button to program – see following map) 02084589218# (long beep) 02084587770 # (3 short beeps) = Speed Dial 001 is 02084589218. If no answer or busy will call 02084587770.**

*If speed dial is less than 16 digits, press # to validate.*

End of programming : **00** (3 short beeps).

To delete a speed dial telephone number :

**\* 2000 # (3 short beeps) 68 (long beep) 01 - 64 (number of the call-button to program – see following map) # (3 short beeps).**

### **Programming for extensions call-buttons utilisation – Function 69**

**2000 # (3 short beeps) 69 (long beep)**

- **1** : pushing a second time on the call-button will stop the call in process,
- **0** : no action when pushing a second time on the call-button.

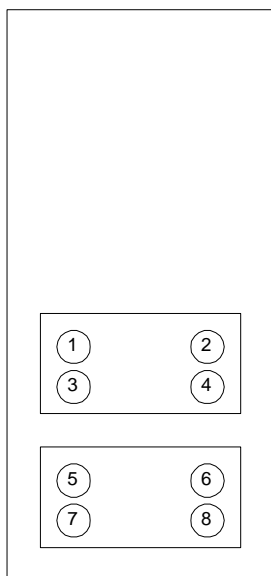
If the option **real clock** is installed, the using of all call-buttons will be as following :

**After long beep :**

- **0** : call-buttons are always active,
- **1** : call-buttons are active only during the time period programmed,
- **2** : during the time period programmed, relay 2 will be active when pushing call-buttons ;  
Off time pushing call-buttons will dial the programmed numbers,
- **3** : during the time period programmed, it will call the first speed dial telephone number.  
Off this time, it will call the second speed dial telephone number.

**NUMBERING OF THE CALL-BUTTONS**

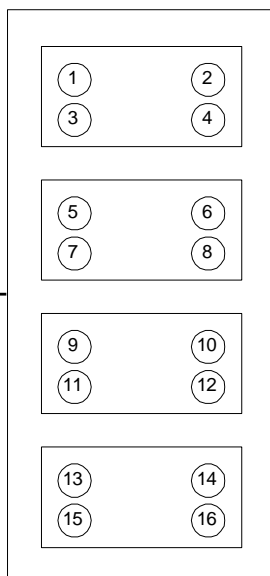
**BASIC  
DOOR-PANEL**



1-8 Call-buttons

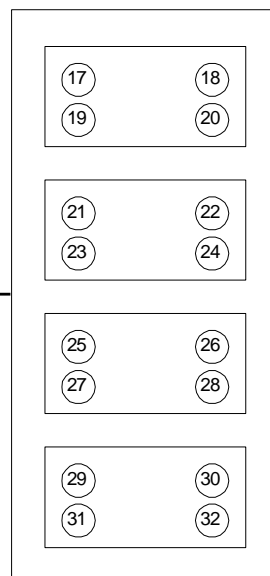
To program the Call-buttons of basic door-panel, see manual.

**EXTENSION-BOX**



1<sup>st</sup> extension-box:  
4-16 Call-buttons  
Wire Strap not cut  
Jumper on 1-16

**EXTENSION-BOX**

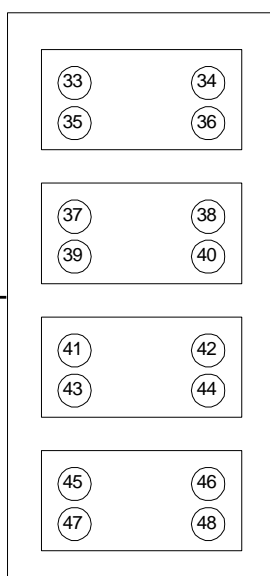


2<sup>nd</sup> extension-box :  
4-16 Call-buttons  
Wire Strap cut  
Jumper on 16-32

4 wires

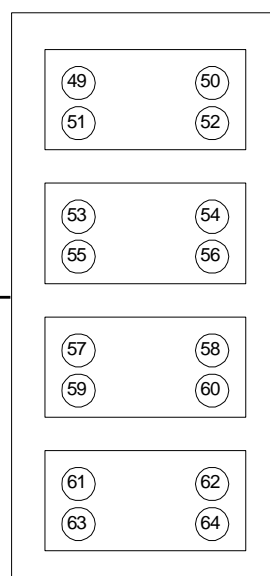
20 wires

**EXTENSION-BOX**



3<sup>rd</sup> extension-box :  
4-16 Call-buttons  
Wire Strap cut  
Jumper on 32-48

**EXTENSION-BOX**



4<sup>th</sup> extension-box :  
4-16 Call-Buttons  
Wire Strap cut  
Jumper on 48-64

20 wires

20 wires

## 4 – TIME PROGRAMMING (Option)

### To valid the clock for each features

It is necessary to valid the clock option for the features as call-buttons, access-badges, access-codes or speed-dial numbers.

- **Call-buttons** : please refer to § 5.

- **Access-badges and the keypad acces-codes** :

**2000 # (3 short beeps) 81 (long beep) 0 to unvalid time on badges and access-codes, or 1 to valid time on badges and access-codes, (3 short beeps).**

- **Speed-dial numbers** :

**2000 # (3 short beeps) 82 (long beep) 0 to unvalid time on speed-dial numbers, or 1 to valid time on speed-dial numbers, (3 short beeps).**

### Programming the current time

**2000 # (3 short beeps) 87 (long beep) enter HH MM, (3 short beeps).**

HH : 00 - 23

MM : 00 - 59

### Programming the current date

**2000 # (3 short beeps) 88 (long beep) enter DD MM YY, (long beep), X, (3 short beeps).**

DD : 01 - 31

MM : 01 - 12

YY : 00 – 99

X : 1 for Sunday, 2 for Monday, ..., 7 for Saturday.

### Programming the two time-periods

**1<sup>st</sup> Period :**

**2000 # (3 short beeps) 84 (long beep) enter # to unvalid the 1<sup>st</sup> period or HH MM for the starting time (long beep), HH MM for the ending time (3 short beeps).**

**2<sup>nd</sup> Period :**

**2000 # (3 short beeps) 85 (long beep) enter # to unvalid the 2nd period or HH MM for the starting time (long beep), HH MM for the ending time (3 short beeps).**

HH : 00 - 23

MM : 00 - 59

Example : Door-panel must work from 8am till 12am, and then from 2pm till 6pm.

**2000 # (3 short beeps) 84 (long beep) 0800 (long beep), 1200 (3 short beeps).**

**2000 # (3 short beeps) 85 (long beep) 1400 (long beep), 1800 (3 short beeps).**



### **Programming weekends**

**2000 # (3 short beeps) 86 (long beep) enter # to delete the weekend or Xx (3 short beeps).**

X : 1 for Sunday, 2 for Monday, ..., 7 for Saturday → first day of the weekend.

X : : 1 for Sunday, 2 for Monday, ..., 7 for Saturday → last day of the weekend.

For a short weekend of only one day, enter 0 for the first day and then the figure for the last day.

During weekend days, the door-panel doesn't work.

### **Programming the holidays**

**2000 # (3 short beeps) 83 (long beep) enter DD MM for the first day of holidays, (long beep), DD MM for the last day of holidays (3 short beeps).**

DD : 01 - 31

MM : 01 - 12

During holidays, the door-panel doesn't work.

### **Programming the bank holidays**

**2000 # (3 short beeps) 89 (long beep) enter # to cancel all the bank holidays or DD MM for the first day, (long beep), DD MM for the second day, (long beep), ... , # to finish (3 short beeps).**

DD : 01 - 31

MM : 01 - 12

Example : bank holidays are 1<sup>st</sup> of january and 25<sup>th</sup> of december.

**2000 # (3 short beeps) 89 (long beep) 0101, (long beep), 2512, (long beep), # (3 short beeps).**

Maximum 12 bank holidays.

During bank holidays, the door-panel doesn't work.

## **5 – ACCESS CONTROL (BADGES & ACCES-CODES)**

1 024 access-codes from keypad or 512 badges-codes are available.

When the option acces-control badges is choosen, the 1 024 keypad access-codes are not more usable.

### **\* 2000 # (3 short beeps) 50 (long beep) 0 - 4 (3 short beeps)**

- 0 : no badge-reader ; 1 024 access-codes from keypad available.
- 1 : badge-reader Dallas®
- 2 : badge-reader V2000
- 3 : badge-reader Crosspoint®
- 4 : badge-reader MLP3, MIR or LHF.

### **To enter one or more access-codes :**

**\*2000 # (3 short beeps) 51 or 54 or 55 (long beep) enter the access-code # (3 short beeps).**

Repeat this procedure for each access-code.

End the procedure by \* (3 short beeps).

### **To enter one or more badges :**

**\*2000 # (3 short beeps) 51 or 54 or 55 (long beep) :**

- **present the badge to the badge-reader or,**
- **enter the code of the badge, #**

Repeat this procedure for each badge.

End the procedure by \* (3 short beeps).

**Function 51 : badge or access-code will manage relay 1,**

**Function 54 : badge or access-code will manage relay 2,**

**Function 55 : badge or access-control will manage both relay 1 and relay 2.**

### **To delete one or more access-codes :**

**\*2000 # (3 short beeps) 52 (long beep) enter the access-code # (3 short beeps).**

Repeat this procedure for each access-code.

End the procedure by \* (3 short beeps).

### **To delete one or more badges :**

**\*2000 # (3 short beeps) 52 (long beep) :**

- **present the badge to the badge-reader or,**
- **enter the code of the badge, #**

Repeat this procedure for each badge.

End the procedure by \* (3 short beeps).

Note : if the code entered is too short or too long, when entering #, the panel will send 2 long beeps or the message number 7 ‘the code entered is incorrect ».

### **To delete all the badges or access-codes :**

**\*2000 # (3 short beeps) 53 (3 short beeps).**

## 6 – TECHNICAL DATA

<b>Connections:</b>	(1) Publix switch on analog line (a/b) or (2) PABX extension of the internal telecommunications network of a company. Socket to be analogue type (2 wire non digital) or digital with analogue simulation.
<b>Telephones:</b>	(1) Standard analogue DTMF “Touch Tone” (2) Mobile telephone (3) Cordless telephone
<b>REN Loading:</b>	=1 Maximum REN on any PSTN line = 4. If any 3rd party equipment connected in parallel, for example: burglar alarm, facsimile machine etc. REN loading limit must not be exceeded.
<b>Power Supply:</b>	12V DC +/- 10%
<b>Power Consumption:</b>	Standby 70mA, Maximum 250mA
<b>CE Norms:</b>	EN60950 EN55022 Edition 98 Class B EN55024 Edition 98 Class B
<b>Telecommunications Norms:</b>	CTR21 (European Rules)
<b>Operating Temperature:</b>	-35°C to + 50°C non-condensing
<b>Number of Relays:</b>	2
<b>Relay Timers:</b>	Relay 1 = 1- 99 secs Relay 2 = 1- 99 secs
<b>Relay Contact Ratings:</b>	Relay 1 = 2 Amps at 12V DC 1 Amp at 24V DC Relay 2 = 2 Amps at 12V DC 1 Amp at 24V DC
<b>Request to Exit:</b>	2 (N.O. contacts)
<b>Programming:</b>	TELACCES 1B is programmed remotely via a Touch-tone (DTMF) telephone. TELACCES 1C is programmed (1) Remotely via a Touch-tone (DTMF) telephone or (2) At the panel via the keypad.
<b>System Capacity:</b>	TELACCES 1B = 1 - 14 buttons ( 1 - 14 n° main telephone numbers + 2 <sup>nd</sup> telephone numbers). TELACCES 1C = 120 n° main telephone numbers + 2 <sup>nd</sup> telephone numbers or, 1C n° main telephone numbers .
<b>Keypad entry codes:</b>	2 (TELACCES 1C range only)
<b>Keypad code length:</b>	1 - 6 digits (TELACCES 1C range only)
<b>Trades - button</b>	Option
<b>Key override</b>	Option
<b>Non - Volatile memory</b>	Yes
<b>Material</b>	Flush mounting box zinc plated and front panel in brushed with anti - vandal stainless steel security screws. (Vessel for surface mounting in option)

## **7 – DEFAULT PARAMETERS « Factory Settings »**

### **Relay N°1 activated by:**

<b>Telephone handset code</b>	0
<b>Keypad code</b>	12345
<b>Operational time (seconds)</b>	5

### **Relay N°2 activated by:**

<b>Telephone handset code</b>	2
<b>Keypad code</b>	67890
<b>Operational time (seconds)</b>	5

<b>Additional keypad code</b>	OFF
-------------------------------	-----

<b>Communication time</b>	1 minute
---------------------------	----------

<b>Handset rings for (seconds)</b>	30
------------------------------------	----

<b>Panel rings for (seconds)</b>	0
----------------------------------	---

<b>Audio messages</b>	On (where applicable)
-----------------------	-----------------------

<b>Ring tones</b>	Country settings
-------------------	------------------

<b>Busy tones</b>	Country settings
-------------------	------------------

**To recall all the default parameters :**

**\* 2000 # (3 short beeps) 29 (3 short beeps).**